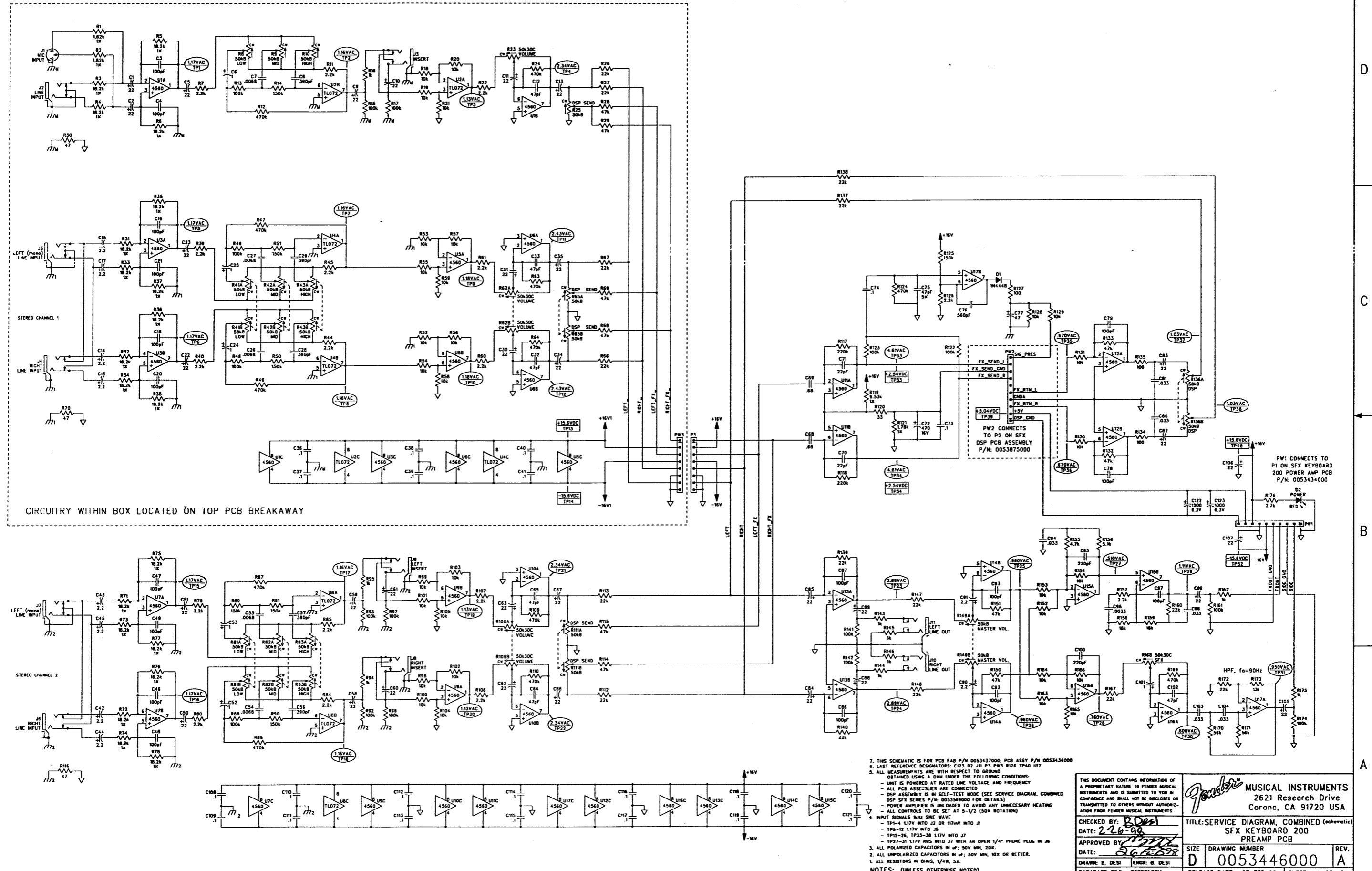


REVISIONS			
REV.	DESCRIPTION	DATE	APPROVED
A	PR372	27-FEB-98	E M M



CIRCUITRY WITHIN BOX LOCATED ON TOP PCB BREAKAWAY

- THIS SCHEMATIC IS FOR PCB P/N 0053437000; PCB ASSY P/N 0053436000
 - LAST REFERENCE DESIGNATORS: C123 D2 J11 P3 PW3 R176 TP40 U17
 - ALL MEASUREMENTS ARE WITH RESPECT TO GROUND
 - UNITS IS POWERED AT RATED LINE VOLTAGE AND FREQUENCY:
 - U1H-T IS POWERED AT RATED LINE VOLTAGE AND FREQUENCY
 - ALL PCB ASSEMBLIES ARE CONNECTED
 - DSP ASSEMBLY IS IN SELF-TEST MODE (SEE SERVICE DIAGRAM, COMBINED DSP SFX SERIES P/N: 005338000 FOR DETAILS)
 - POWER AMPLIFIER IS UNLOADED TO AVOID ANY UNNECESSARY HEATING
 - ALL CONTROLS TO BE SET AT 5-1/2 (50% ROTATION)
 - INPUT SIGNALS MUST BE WAVE:
 - TP1-4 1.17V INTO J2 OR 117mV INTO J1
 - TP5-12 1.17V INTO J5
 - TP15-26, TP33-38 1.17V INTO J7
 - TP27-31 1.17V RMS INTO J7 WITH AN OPEN 1/4" PHONE PLUG IN J8
 - ALL POLARIZED CAPACITORS IN μ F; 50V MIN. 25%.
 - ALL UNPOLARIZED CAPACITORS IN μ F; 50V MIN. 10% OR BETTER.
 - ALL RESISTORS IN OHMS; 1/4W, 5%.
- NOTES: (UNLESS OTHERWISE NOTED)

THIS DOCUMENT CONTAINS INFORMATION OF A PROPRIETARY NATURE TO FENDER MUSICAL INSTRUMENTS AND IS SUBMITTED TO YOU IN CONFERENCE AND SHALL NOT BE DISCLOSED OR TRANSMITTED TO OTHERS WITHOUT AUTHORIZATION FROM FENDER MUSICAL INSTRUMENTS.

Fender MUSICAL INSTRUMENTS
2621 Research Drive
Corona, CA 91720 USA

CHECKED BY: *B. Desi*
DATE: 2-26-98

APPROVED BY: *[Signature]*
DATE: 2-26-98

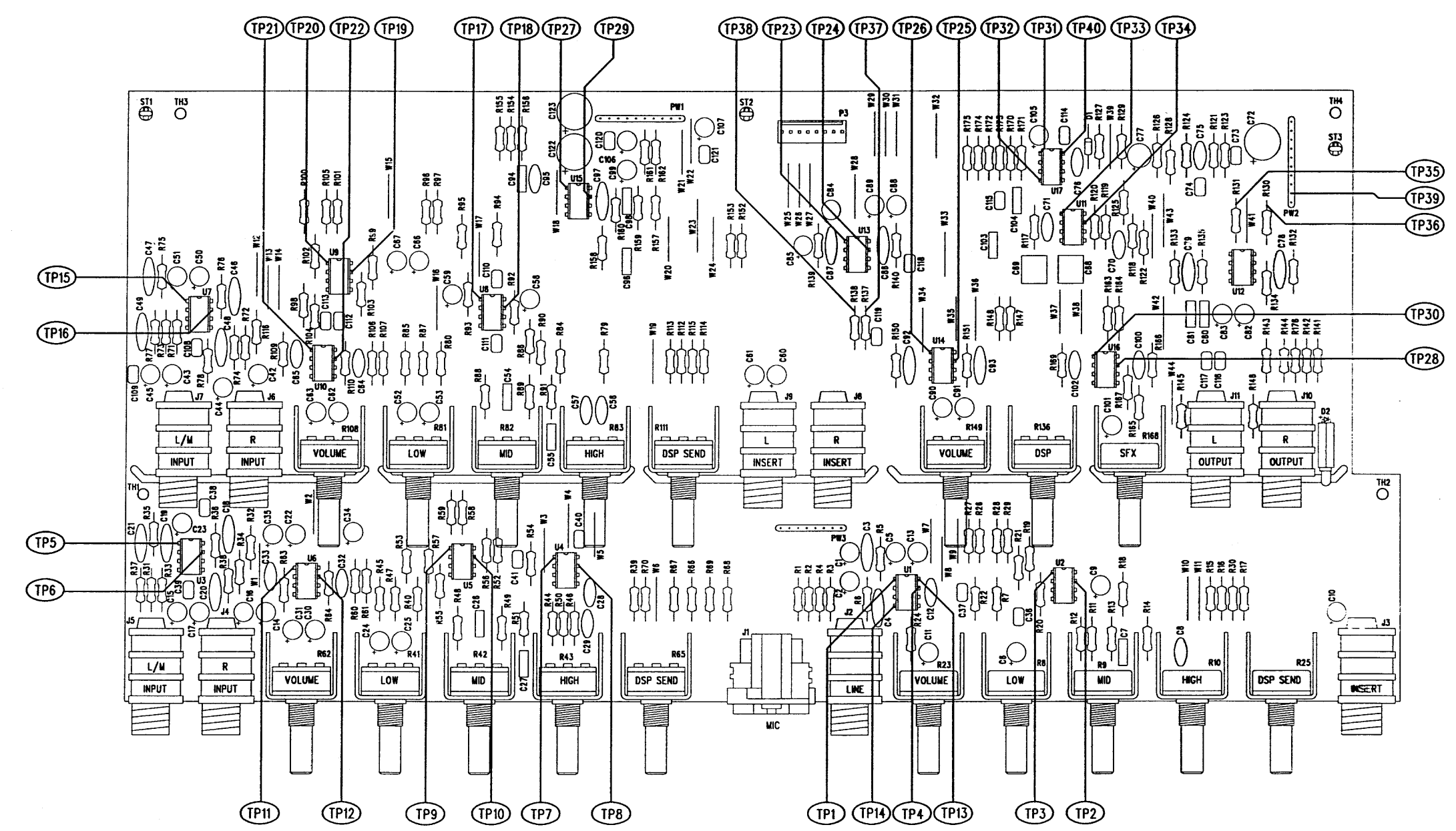
DRAWN BY: *[Signature]*
DATABASE FILE: 237251.SCH

TITLE: SERVICE DIAGRAM, COMBINED (schematic)
SFX KEYBOARD 200
PREAMP PCB

SIZE: D
DRAWING NUMBER: 0053446000
RELEASE DATE: 27-FEB-98

REV. A
SHEET: 1 OF 2

REVISIONS			
REV.	DESCRIPTION	DATE	APPROVED
A	PR372	27-FEB-98	E M M



FILM/DWG: SERVICE DIAGRAM
 DATABASE: Z372PLPCB DATE: 27-FEB-98

THIS DOCUMENT CONTAINS INFORMATION OF A PROPRIETARY NATURE TO FENDER MUSICAL INSTRUMENTS AND IS SUBMITTED TO YOU IN CONFIDENCE AND SHALL NOT BE DISCLOSED OR TRANSMITTED TO OTHERS WITHOUT AUTHORIZATION FROM FENDER MUSICAL INSTRUMENTS.

CHECKED BY: *[Signature]*
 DATE: 2-26-98

APPROVED BY: *[Signature]*
 DATE: 26 FEB 98

DRAWN: B. DESI ENGR: B. DESI
 DATABASE FILE: Z372PLPCB

Fender MUSICAL INSTRUMENTS
 2621 Research Drive
 Corona, CA 91720 USA

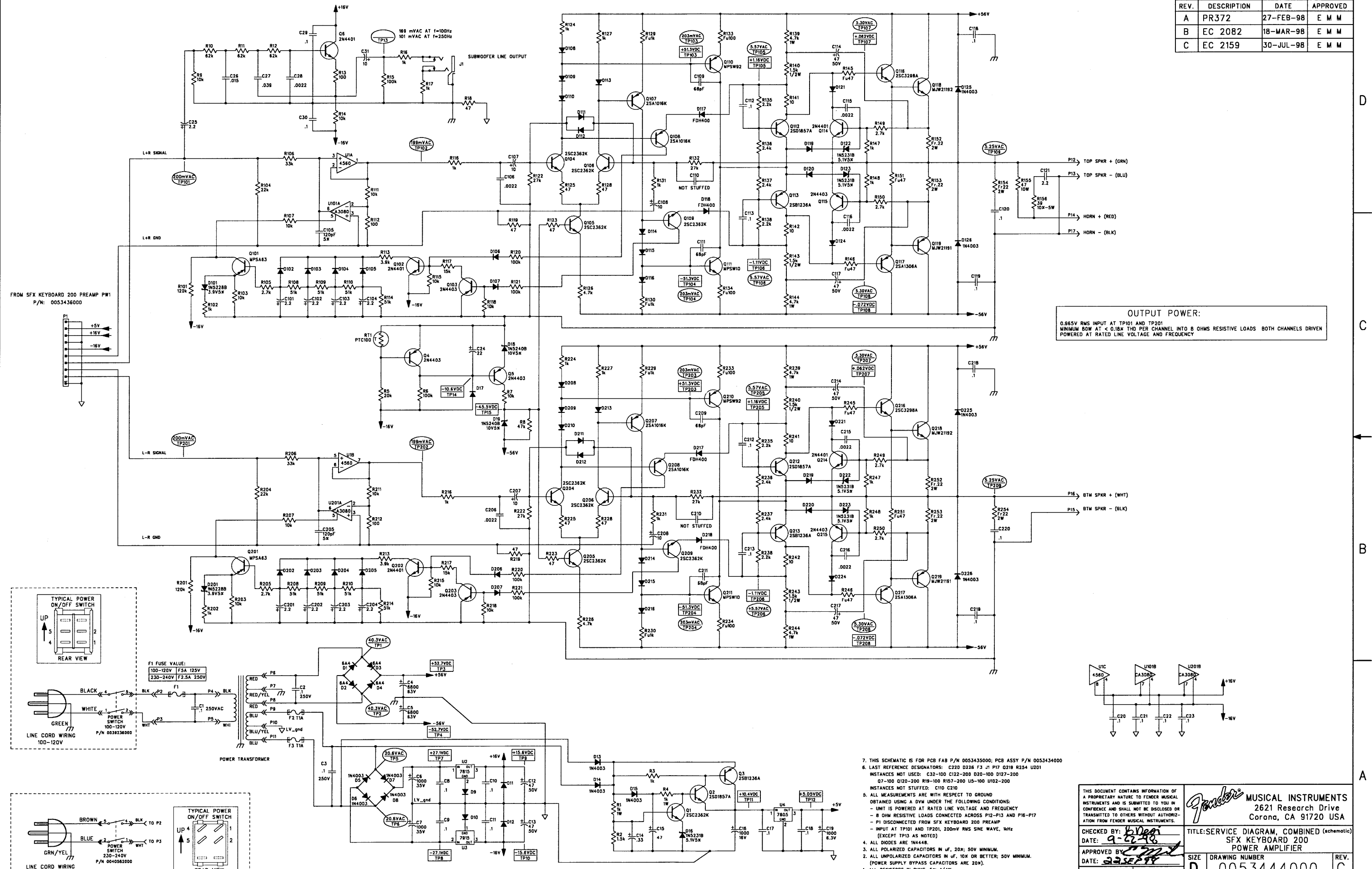
TITLE: SERVICE DIAGRAM, COMBINED (PCB assy)
 SFX KEYBOARD 200
 PRE AMPLIFIER

SIZE	DRAWING NUMBER	REV.
C	0053446000	A

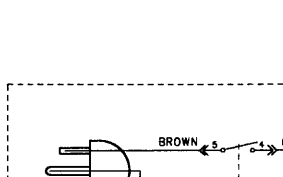
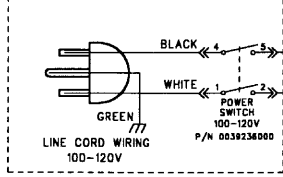
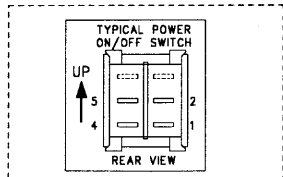
RELEASE DATE: 27-FEB-98 SHEET 2 OF 2

1. SEE SHEET 1 FOR TEST CONDITIONS AND TEST POINT VALUES
 NOTES: (UNLESS OTHERWISE NOTED)

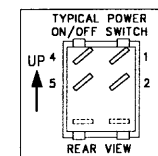
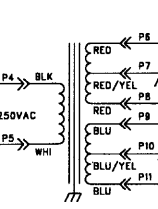
REVISIONS			
REV.	DESCRIPTION	DATE	APPROVED
A	PR372	27-FEB-98	E M M
B	EC 2082	18-MAR-98	E M M
C	EC 2159	30-JUL-98	E M M



OUTPUT POWER:
 0.855V RMS INPUT AT TP101 AND TP201
 MINIMUM 8ΩW AT < 0.18X THD PER CHANNEL INTO 8 OHMS RESISTIVE LOADS BOTH CHANNELS DRIVEN
 POWERED AT RATED LINE VOLTAGE AND FREQUENCY



F1 FUSE VALUE:
 100-120V F5A 125V
 230-240V F2.5A 250V



- THIS SCHEMATIC IS FOR PCB FAB P/N 0053435000; PCB ASSY P/N 0053434000
 - LAST REFERENCE DESIGNATORS: C220 D226 F3 J1 P17 Q218 R254 U201
 INSTANCES NOT USED: C32-100 C122-200 D20-100 D127-200
 Q7-100 Q120-200 R19-100 R157-200 U5-100 U102-200
 INSTANCES NOT STUFFED: C10 C210
 - ALL MEASUREMENTS ARE WITH RESPECT TO GROUND
 - UNIT IS POWERED AT RATED LINE VOLTAGE AND FREQUENCY
 - 8 OHM RESISTIVE LOADS CONNECTED ACROSS P12-P13 AND P16-P17
 - P1 DISCONNECTED FROM SFX KEYBOARD 200 PREAMP
 - INPUT AT TP101 AND TP201, 200mV RMS SINE WAVE, 1kHz (EXCEPT TP13 AS NOTED)
 - ALL DIODES ARE 1N4403
 - ALL POLARIZED CAPACITORS IN μF, 20X; 50V MINIMUM.
 - ALL UNPOLARIZED CAPACITORS IN μF, 10X OR BETTER; 50V MINIMUM. (POWER SUPPLY BYPASS CAPACITORS ARE 20X).
 - ALL RESISTORS IN OHMS, 5X; 1/W.
- NOTES: (UNLESS OTHERWISE NOTED)

THIS DOCUMENT CONTAINS INFORMATION OF A PROPRIETARY NATURE TO FENDER MUSICAL INSTRUMENTS AND IS SUBMITTED TO YOU IN CONFERENCE AND SHALL NOT BE DISCLOSED OR TRANSMITTED TO OTHERS WITHOUT AUTHORIZATION FROM FENDER MUSICAL INSTRUMENTS.

Fender MUSICAL INSTRUMENTS
 2621 Research Drive
 Corona, CA 91720 USA

CHECKED BY: *[Signature]*
 DATE: 9-22-98
 APPROVED BY: *[Signature]*
 DATE: 2-25-99
 DRAWN: E. MILLER ENGR: E. MILLER
 DATABASE FILE: Z372P2.SCH

TITLE: SERVICE DIAGRAM, COMBINED (schematic)
 SFX KEYBOARD 200
 POWER AMPLIFIER

SIZE: D
 DRAWING NUMBER: 0053444000
 RELEASE DATE: 27-FEB-98

REV. C
 SHEET: 1 OF 2

8

7

6

5

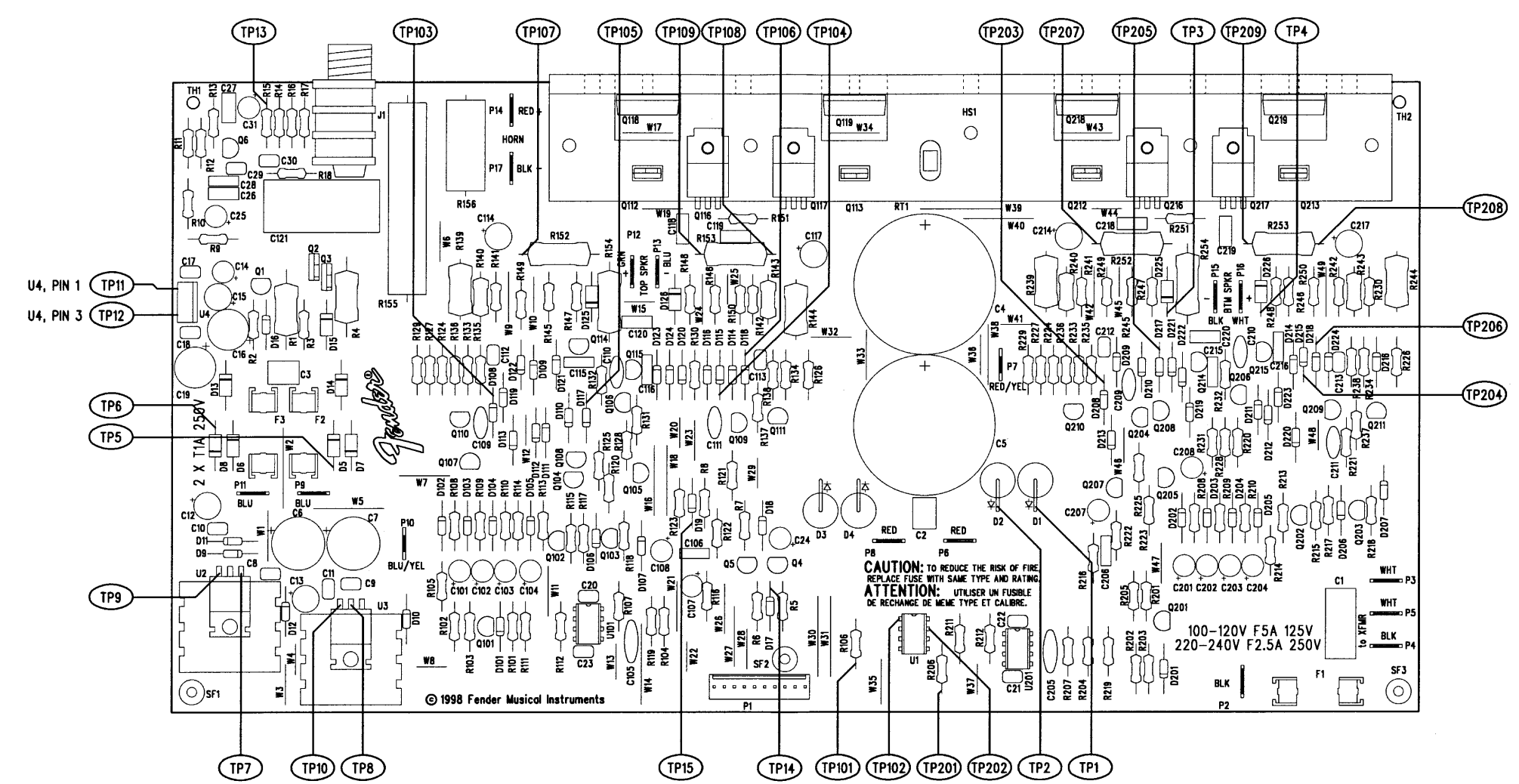
4

3

2

1

REVISIONS			
REV.	DESCRIPTION	DATE	APPROVED
A	PR372	27-FEB-98	E M M
B	EC 2082	18-MAR-98	E M M
C	EC 2159	30-JUL-98	E M M



FILM/DWG: SERVICE DIAGRAM
 DATABASE: Z372P2.PCB DATE: 18-MAR-98

THIS DOCUMENT CONTAINS INFORMATION OF A PROPRIETARY NATURE TO FENDER MUSICAL INSTRUMENTS AND IS SUBMITTED TO YOU IN CONFIDENCE AND SHALL NOT BE DISCLOSED OR TRANSMITTED TO OTHERS WITHOUT AUTHORIZATION FROM FENDER MUSICAL INSTRUMENTS.		MUSICAL INSTRUMENTS 2621 Research Drive Corona, CA 91720 USA	
CHECKED BY: <i>B. Davis</i>	TITLE: SERVICE DIAGRAM, COMBINED (PCB assy)		
DATE: 9-22-98	SFX KEYBOARD 200		
APPROVED BY: <i>[Signature]</i>	POWER AMPLIFIER		
DATE: 22 SEP 98	SIZE: C	DRAWING NUMBER: 0053444000	REV. C
DRAWN: E. MILLER	ENGR: E. MILLER	RELEASE DATE: 27-FEB-98	SHEET 2 OF 2
DATABASE FILE: Z372P2.PCB			

2. COMPONENTS NOT STUFFED: C10 C210
 1. SEE SHEET 1 FOR TEST CONDITIONS AND TEST POINT VALUES
 NOTES: (UNLESS OTHERWISE NOTED)